

# PRODUCT CATALOG

## Japan Quality PU Insulation Panel

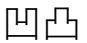
Japan Quality  
**OG Insulation Panel**



# I ) OG Insulation Panel

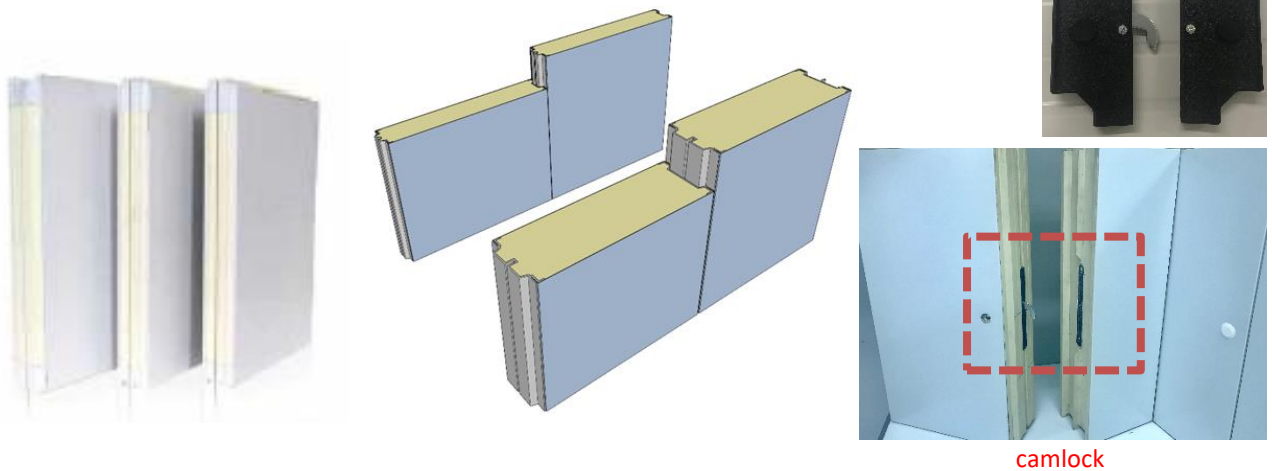
## (Japan Quality PU Insulation Panel)

### OG Insulation Panel

OG Insulation Panel is a Japan quality insulation panel using rigid urethane foam, which has a high insulation performance. The joint part is formed with  a concave-convex frame made of resin which improve it's performance. Color steel panel and stainless steel are used for panel surface, therefore panel appearance is good for interior material.

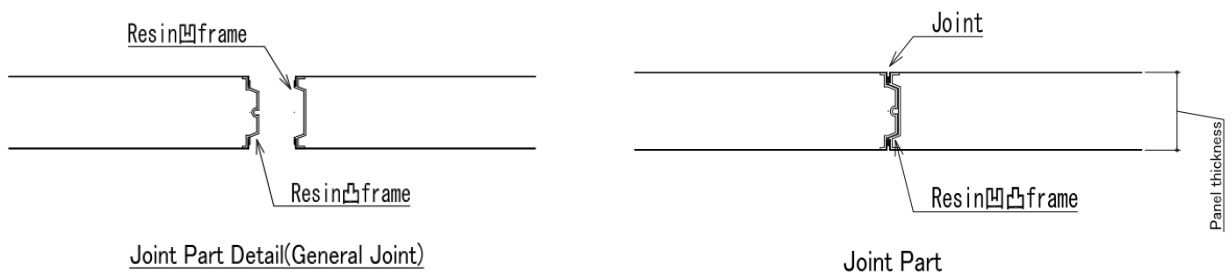
### Strong point

1. OG Insulation Panel prevents dew condensation because it keeps high airtightness and doesn't let cold air escape.
2. Using OG Insulation Panel, panel rigidity and durability is improved.
3. OG Insulation Panel hardly absorbs moisture and keeps thermal insulation performance for a long time
4. Frame and surface material helps to prevent harmful insect and mold invasions into insulation material .



※Using cam lock made of resin, panel rigidity is improved.

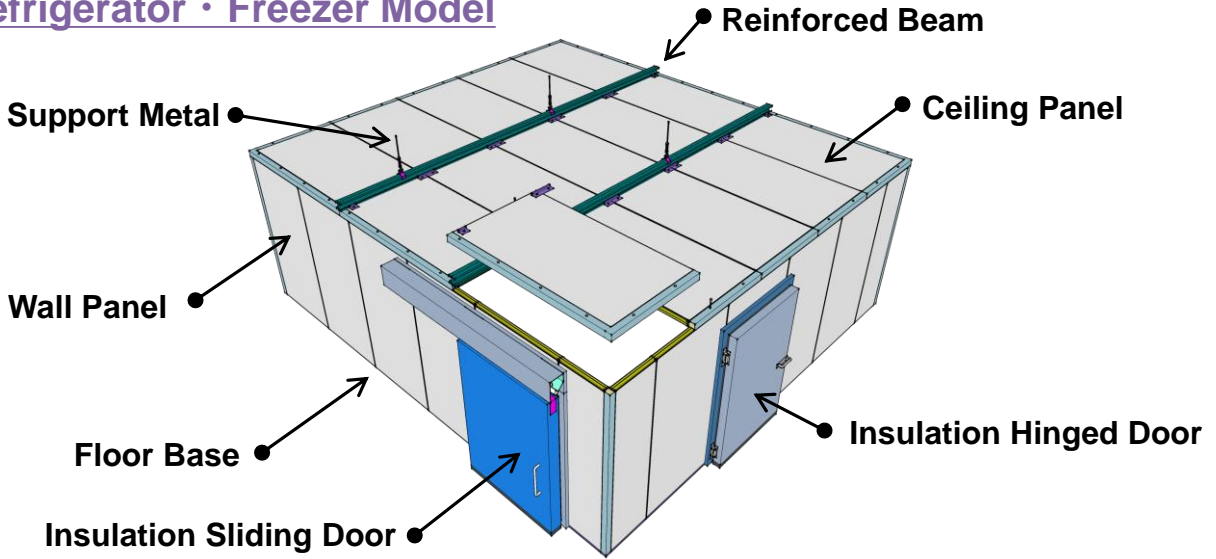
### Joint part



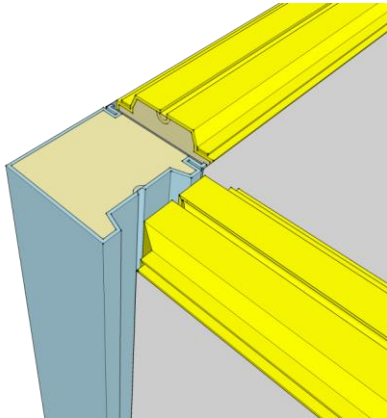
The joint part is filled with sealing materials to enhance airtightness.

# II) OG Insulation Panel Structure - 1

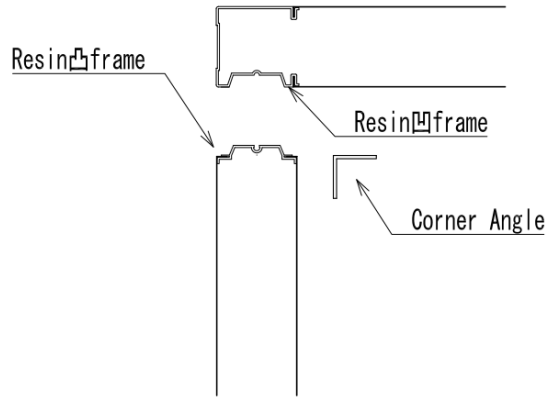
## Refrigerator · Freezer Model



## Wall Corner Part

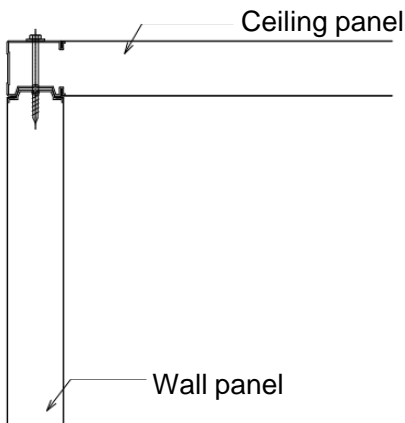


Using a specialized corner part, airtightness and rigidity are ensured.

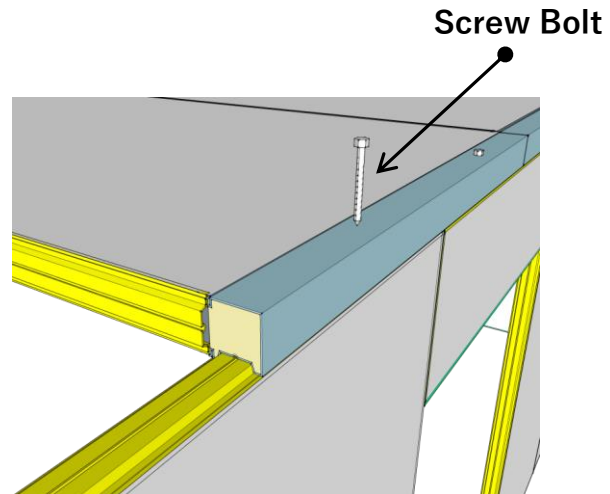


The wall corner part is fixed with aluminum angle from the inside of cabinet.

## Wall + Ceiling Part



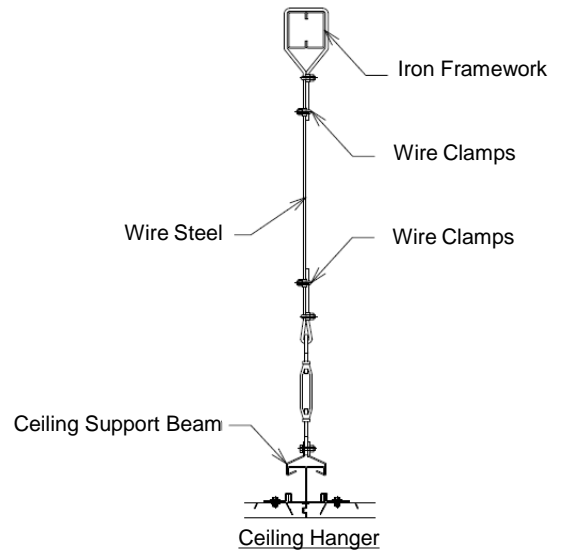
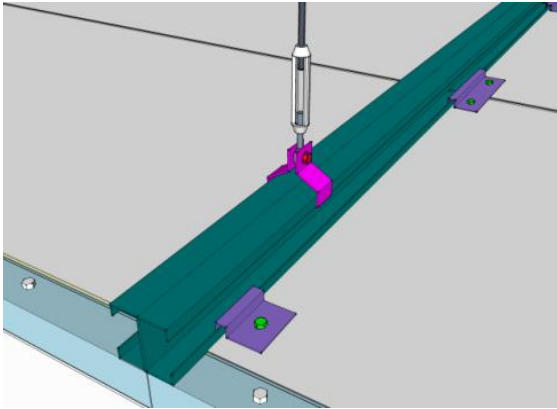
Between ceiling and wall is fixed with frame, therefore airtightness and rigidity are ensured.



Fixing with a screw bolt from above the ceiling.

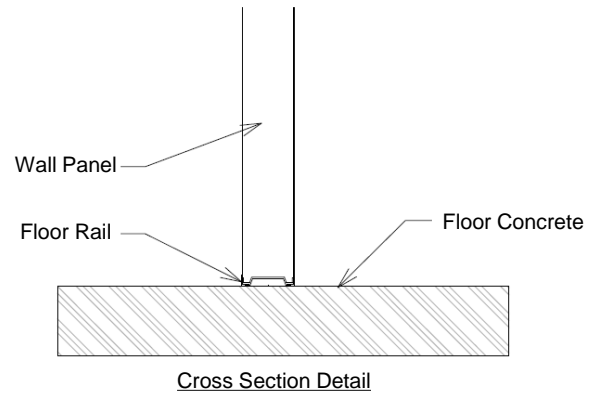
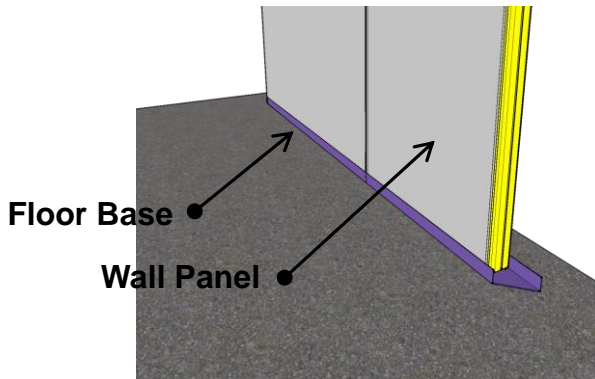
# II) OG Insulation Panel Structure - 2

## Ceiling Hanging Support Parts

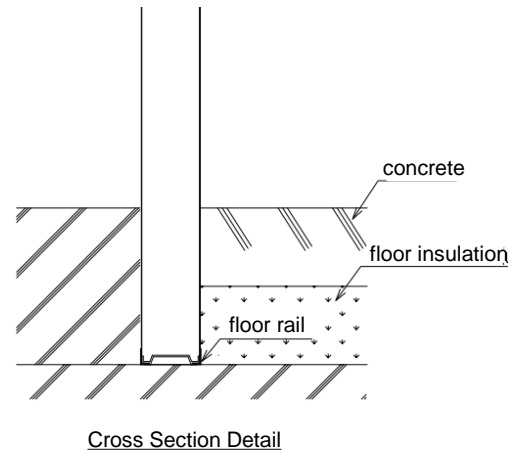
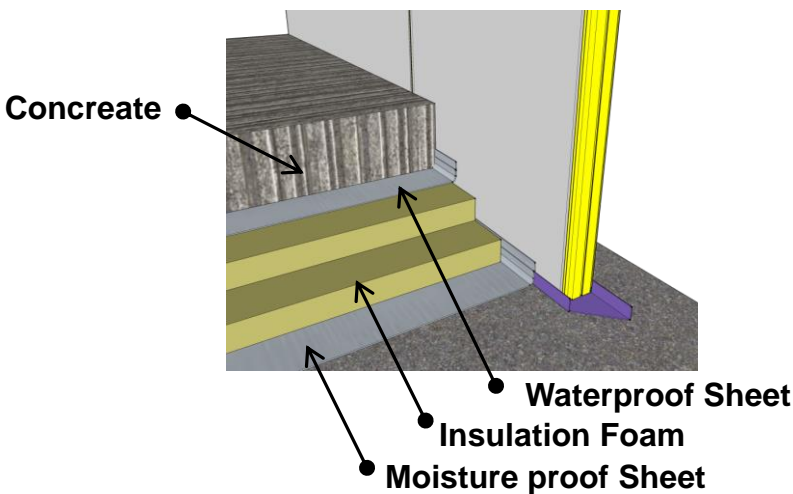


## Wall + Floor Parts

### Without Floor Heat-Proof



### With Floor Heat-Proof



Depending on the temperature zone to be used, the installation method on the floor is different.

# III) OG Insulation Panel

## Insulation Material

You can choose standard panel or incombustible panel by changing the insulation material.

Name	Panel type	Insulation Material
OG Insulation Panel	Standard type※1	Rigid Urethane Foam
OG Insulation Panel PIR	Incombustible type※2	Polyisocyanurate Foam

※1 Standard type is equivalent to German specification DIN4102 B2 class.

※2 Incombustible type is equivalent to Japan incombustible specification.

(Start selling January in 2019.)

## Panel Surface Material



A) Color Steel Panel (White)  
Thickness : 0.45mm



B) Stainless Steel (SUS304 2B)  
Thickness : 0.4mm

※The color is image. It's different from the real color.

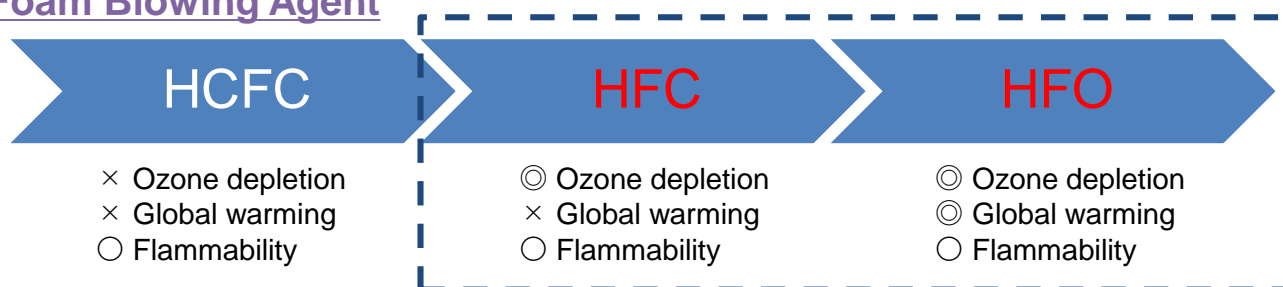
## Basic Performance

Thickness	Thermal transmittance	Temperature range
50mm	0.42W/m <sup>2</sup> · K (0.36kcal/m <sup>2</sup> h°C)	~ -0°C
75mm	0.28W/m <sup>2</sup> · K (0.24kcal/m <sup>2</sup> h°C)	~ -20°C
100mm	0.21W/m <sup>2</sup> · K (0.18kcal/m <sup>2</sup> h°C)	~ -30°C
125mm	0.17W/m <sup>2</sup> · K (0.14kcal/m <sup>2</sup> h°C)	~ -40°C
150mm	0.14W/m <sup>2</sup> · K (0.12kcal/m <sup>2</sup> h°C)	~ -50°C

※Thermal transmittance (K value) is expected value to assume that the hard urethane foam thermal conductivity is 0.021W/m·K (0.018kcal/mh°C) .

※Depending on the use environments, the operating temperature range is different.

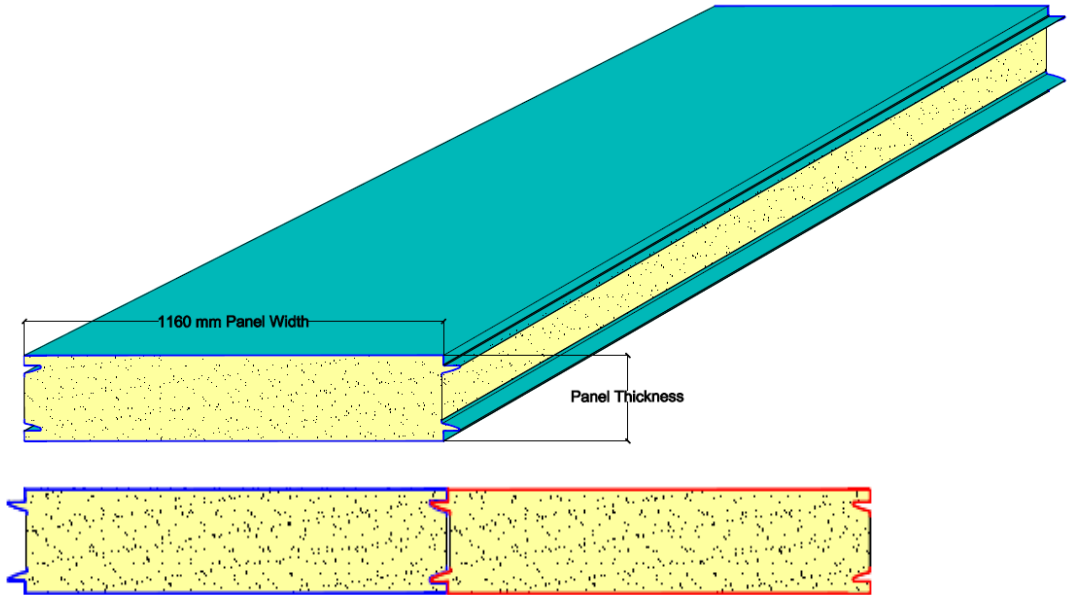
## Foam Blowing Agent



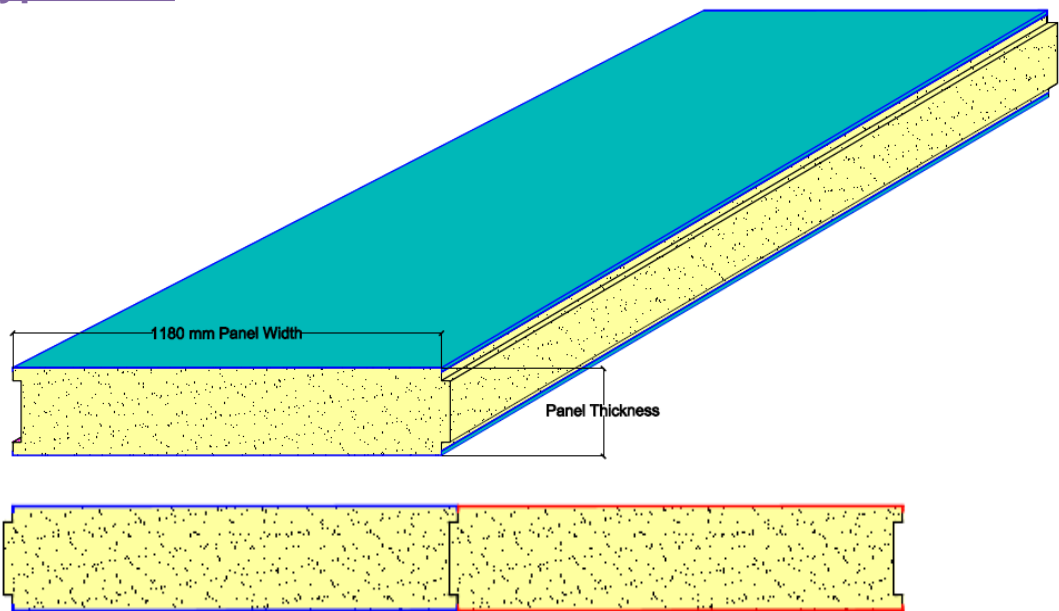
From the environmental consideration, we are suggesting to use **eco-friendly** blowing agent.

# IV) OG Insulation Panel -General type

## General type (A)



## General Type (B)

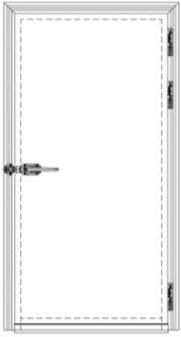


OG Group has 2 kinds of general panel besides Japan quality panel.

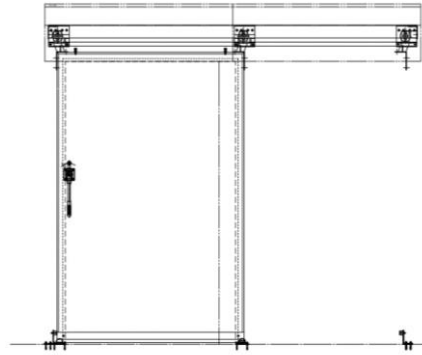
We can propose suitable panels upon usage and request.

# V) OG Insulation Panel Usage example

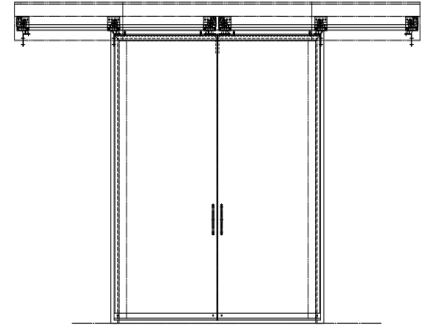
## Insulating Door



Single Door



Single Sliding Door



Double Sliding Door

It's possible to provide manual and electric door for insulating doors.

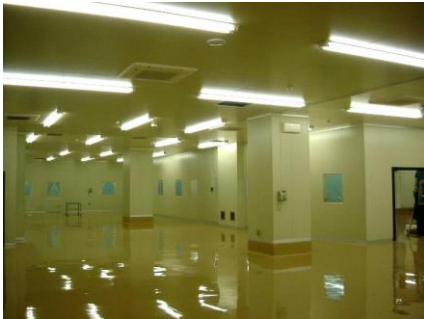
## Application example

Freezing Refrigerating Warehouse/Food Factory/Clean Room/Laboratory

**【Freezing Refrigerating Warehouse】**



**【Food Factory】**



**【Clean Room】**



**【Laboratory】**



**Sales : PT.OG Asia Indonesia**

Alamanda Tower UnitA 28Floor  
Jl.TB.Simatupang Kav.23-24  
Cilandak Barat,Jakarta 12430 INDONESIA  
Tel:+62-21-2966 1978

**(OG Corporation)**

2-8-7, Nihonbashi-honcho, Chuo-ku, Tokyo  
103-8427 JAPAN  
Tel:+81-3-3665 8506

**Manufacturer : PT ANEKA CITRA REFRIGRAHA**

Jl.Raya Legok km.6  
Legok-Tangerang 15820 INDONESIA  
Tel:+62-21-5420 0088



<http://www.ogcorp.co.jp/en/>