

PRODUCT CATALOG

Japan Quality PU Insulation Panel

Japan Quality

OG Insulation Panel



I) OG Insulation Panel

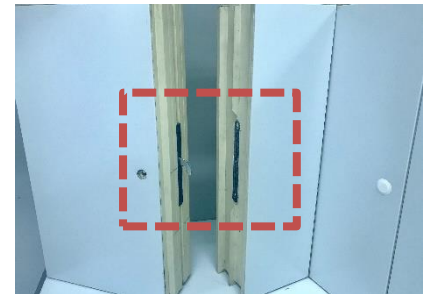
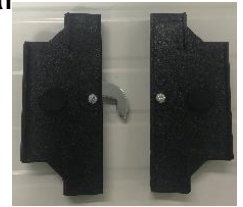
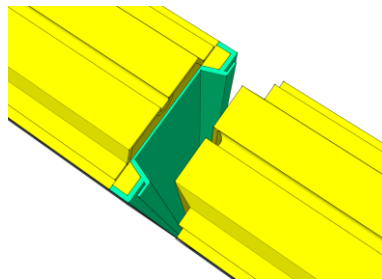
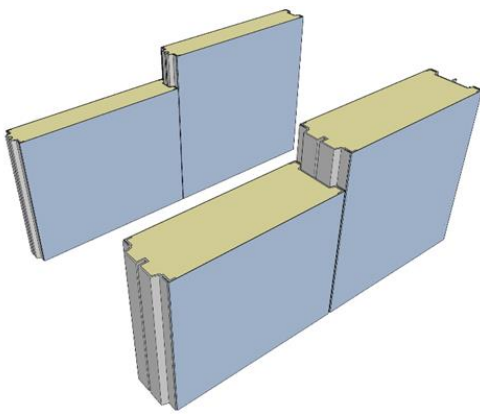
(Japan Quality PU Insulation Panel)

OG Insulation Panel

OG Insulation Panel is a Japanese quality insulation panel with rigid urethane foam which has a high insulation performance. Attaching resin frame with joint part improves the insulation performance. Color steel panel and stainless steel are used for panel surface, therefore panel appearance is good for interior material.

Strong point

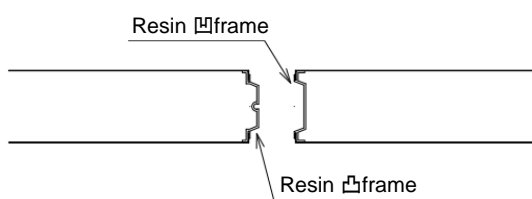
1. OG Insulation Panel prevents dew condensation, resin frame keeps high airtightness and doesn't let cold air escape.
2. By attaching resin frame, panel rigidity and durability are improved.
3. OG Insulation Panel hardly absorbs moisture and keeps thermal insulation performance for a long period of time
4. OG Insulation Panel can be constructed without gaps and prevents harmful insect and mold invasions into insulation material



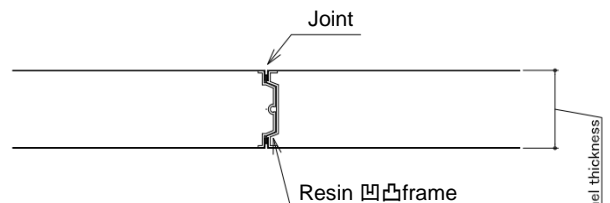
camlock

※Attaching cam lock made of resin, panel rigidity is improved.

Joint part



Joint Part Detail(General Joint)

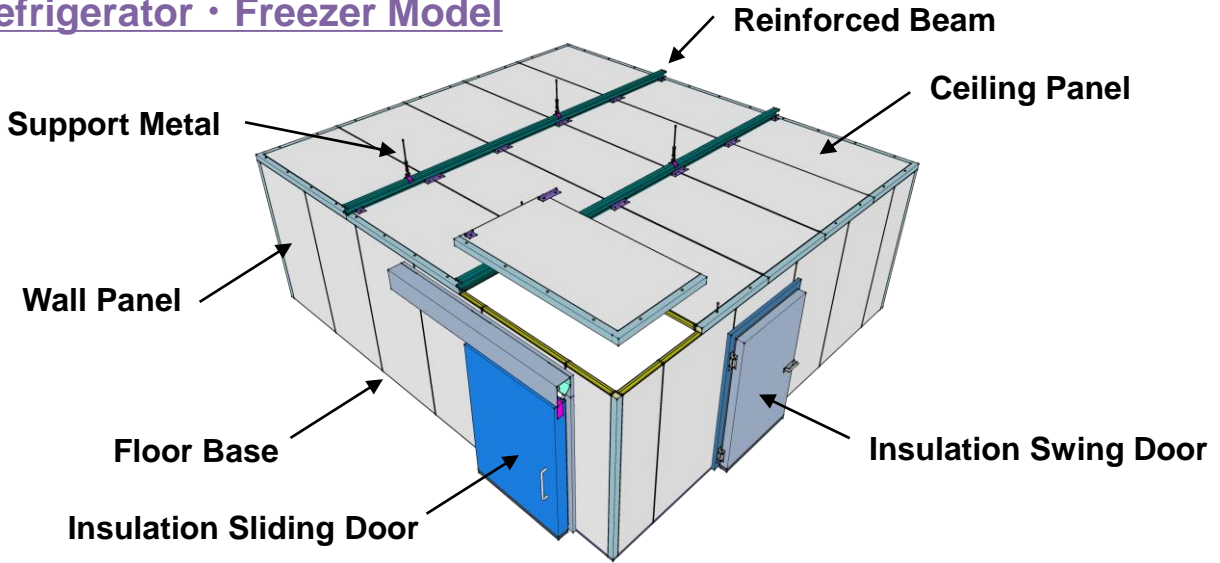


Joint Part

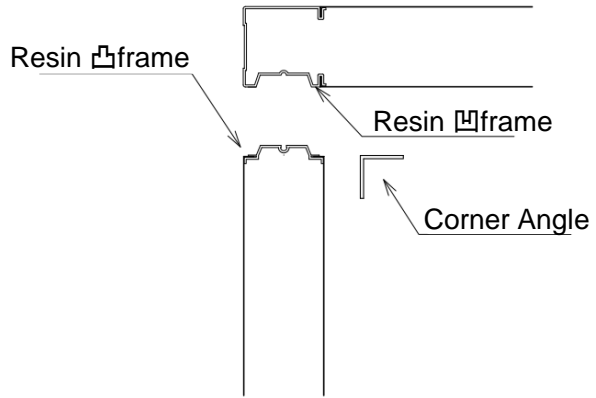
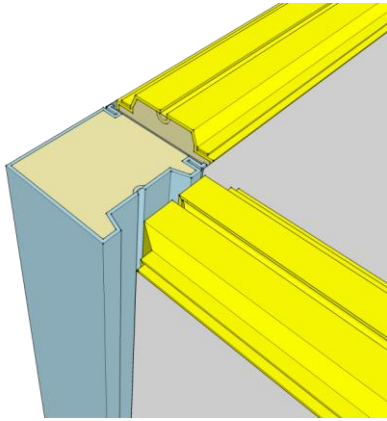
The joint part is filled with sealing materials to enhance airtightness.

II) OG Insulation Panel Structure - 1

Refrigerator · Freezer Model



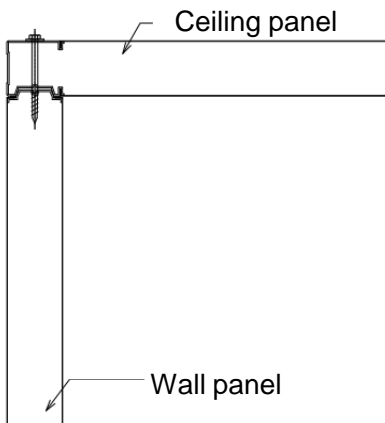
Wall Corner Part



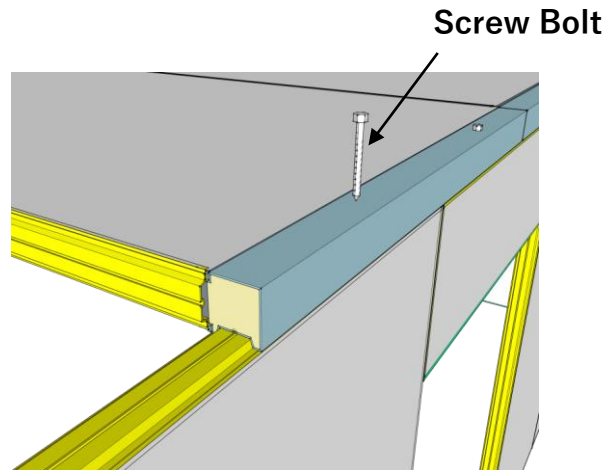
Using resin frame with corner part, airtightness and rigidity are ensured.

The wall corner part is fixed with aluminum angle from the inside of cabinet.

Wall + Ceiling Part



Ceiling and wall is fixed with 凹凸 frame, airtightness and rigidity are ensured.

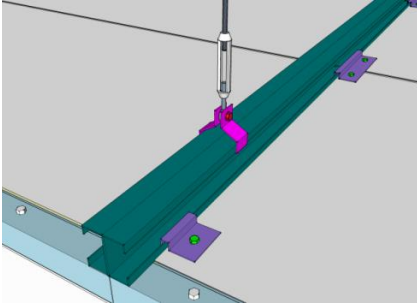


Fixing with a screw bolt from the ceiling.

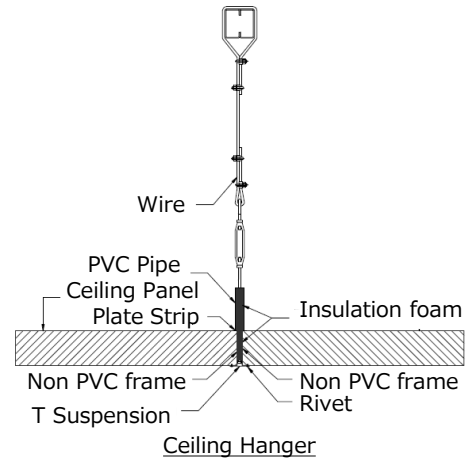
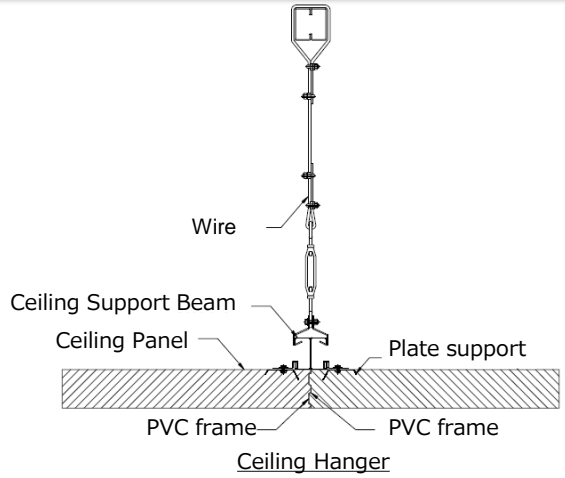
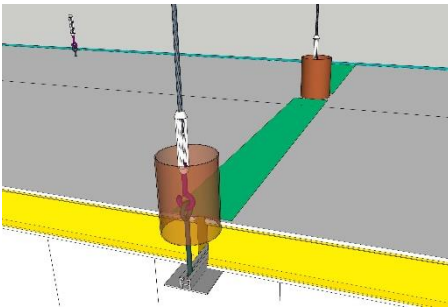
II) OG Insulation Panel Structure - 2

Ceiling Hanging Support Parts

● Outside beam

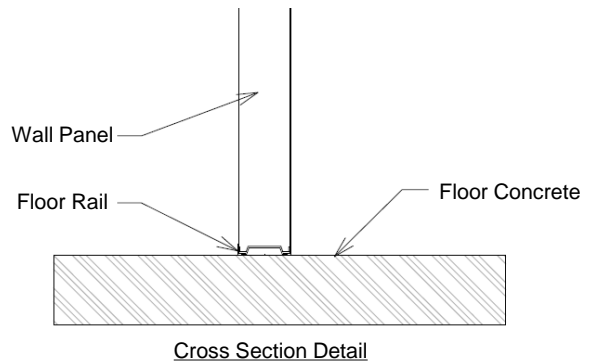
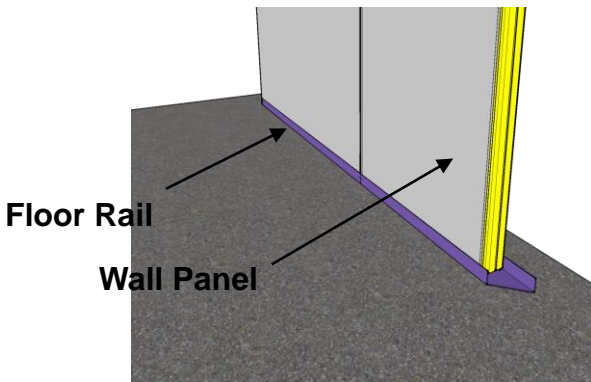


● Inside beam (T-bar)

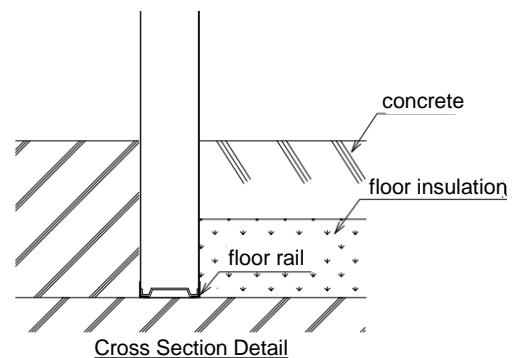
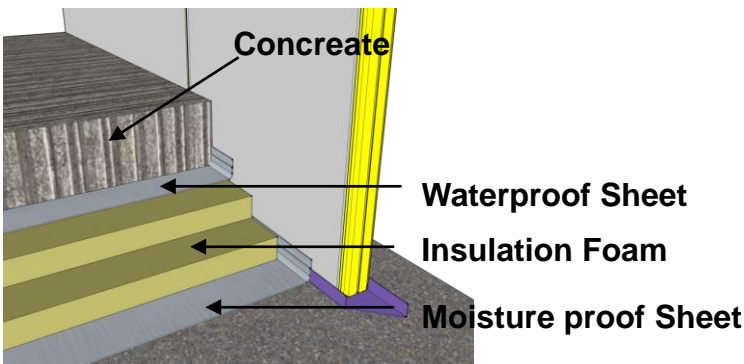


Wall + Floor Parts

● Without Floor Heat-Proof



● With Floor Heat-Proof



Depending on the temperature, floor installation method may differ.

III) OG Insulation Panel

Insulation Material

You can choose standard panel or incombustible panel by changing the insulation material.

| Name | Panel type | Insulation Material |
|-------------------------|----------------------|-----------------------|
| OG Insulation Panel | Standard type※1 | Rigid Urethane Foam |
| OG Insulation Panel PIR | Incombustible type※2 | Polyisocyanurate Foam |

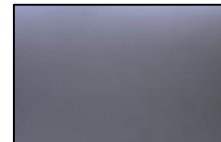
※1 Standard type is equivalent to German specification DIN4102 B2 class.

※2 Incombustible type is equivalent to Japan incombustible specification.(Preparing for sale)

Panel Surface Material



A) Color Steel Panel (White)
Thickness : 0.45mm



B) Stainless Steel (SUS304 2B)
Thickness : 0.5mm

※Picture colors are for illustration only. Actual product may be different.

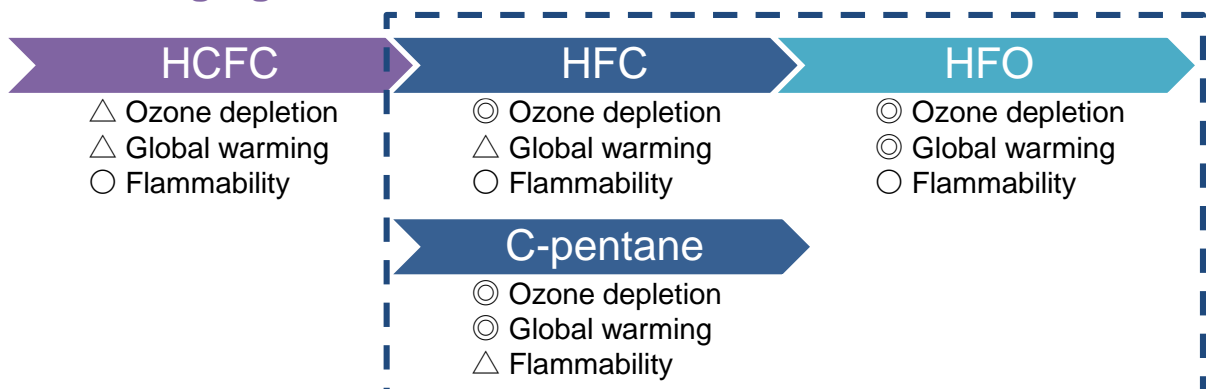
Basic Performance

| Thickness | Thermal transmittance | Temperature range |
|-----------|--|-------------------|
| 50mm | 0.42W/m ² · K (0.36kcal/m ² h°C) | ~ -0°C |
| 75mm | 0.28W/m ² · K (0.24kcal/m ² h°C) | ~ -20°C |
| 100mm | 0.21W/m ² · K (0.18kcal/m ² h°C) | ~ -30°C |
| 125mm | 0.17W/m ² · K (0.14kcal/m ² h°C) | ~ -40°C |
| 150mm | 0.14W/m ² · K (0.12kcal/m ² h°C) | ~ -50°C |

※Thermal transmittance (K value) is the expected value to assume that the hard urethane foam thermal conductivity is 0.021W/m·K (0.018kcal/mh°C) .

※Depending on the environment, the operating temperature range may be different.

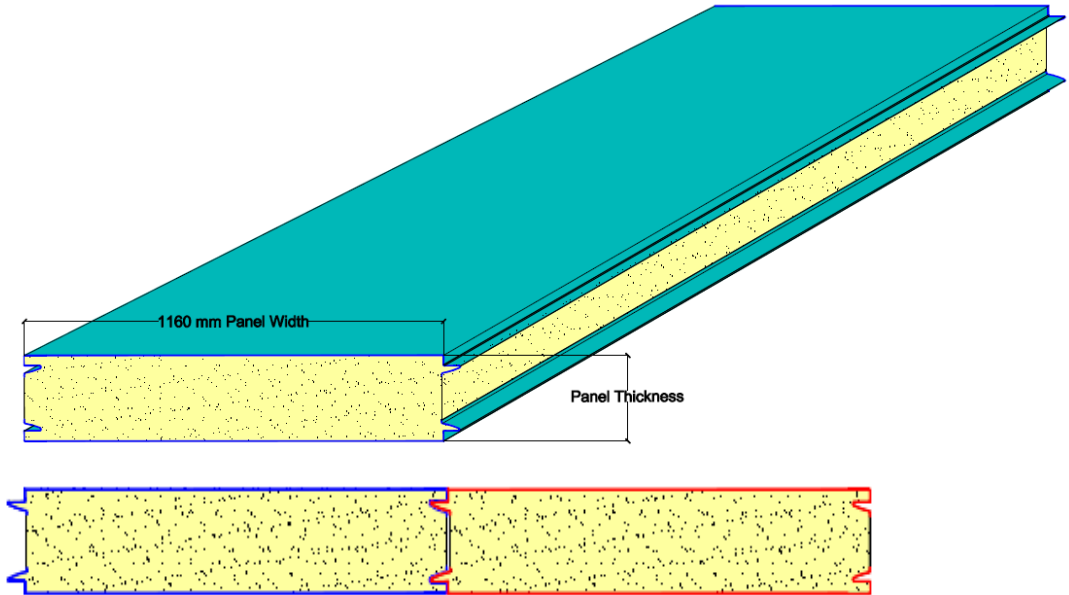
Foam Blowing Agent



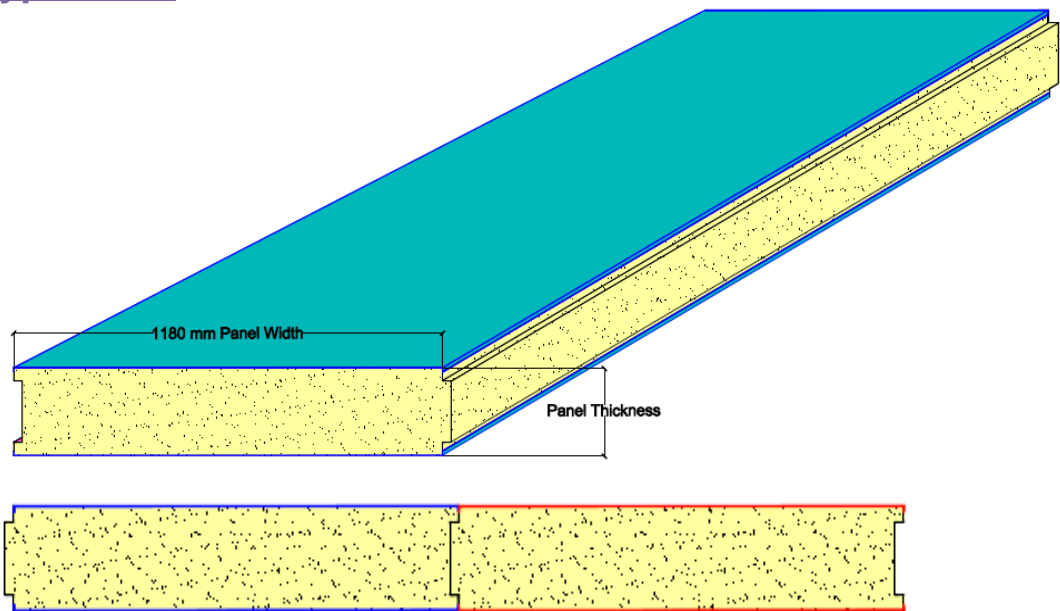
From the environmental consideration, we are suggesting to use **eco-friendly** blowing agent.

III) OG Insulation Panel -General type

General type (A)



General Type (B)

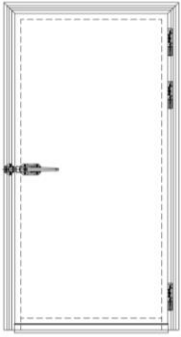


OG Group has 2 kinds of general panel besides Japan quality panel.

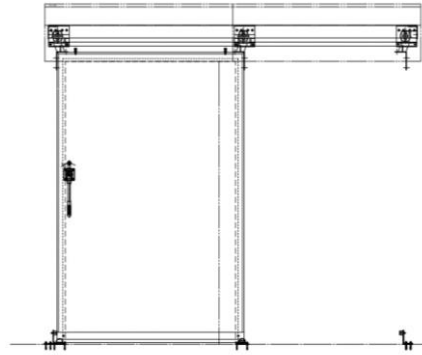
We can propose suitable panels by request.

III) OG Insulation Panel

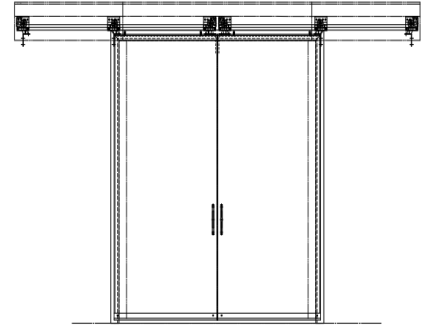
Insulation Door



Single Swing Door



Single Sliding Door



Double Sliding Door

It's possible to provide manual and electric door for sliding doors.

Application example

Freezing Refrigerating Warehouse/Food Factory/Clean Room/Laboratory

【Freezing Refrigerating Warehouse】



【Food Factory】



【Clean Room】



【Laboratory】



Sales : PT.OG ASIA INDONESIA

Alamanda Tower UnitA 28Floor
Jl.TB.Simatupang Kav.23-24
Cilandak Barat,Jakarta 12430 INDONESIA
Tel:+62-21-2966 1978

(OG CORPORATION)

2-8-7, Nihonbashi-honcho, Chuo-ku, Tokyo
103-8427 JAPAN
Tel:+81-3-3665 8506

Manufacturer : PT ANEKA CITRA REFRIGRAHA

Jl.Raya Legok km.6
Legok-Tangerang 15820 INDONESIA
Tel:+62-21-5420 0088



<http://www.ogcorp.co.jp/en/>